

Floor plan: EB 30 CNC

EHRT

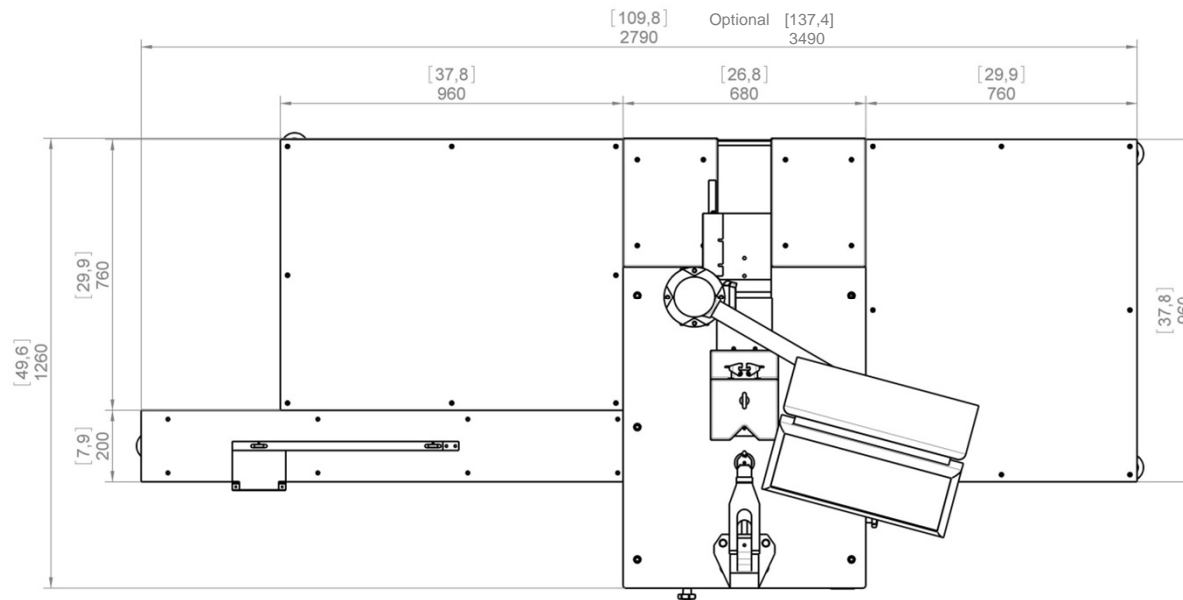
Maschinenbau GmbH

D-53619 Rheinbreitbach

Tel: +49/(0)2224/9248-0

E-mail: info@ehrt.de

www.ehrt.de



Technical Data

Maximum height	1870 mm
Working height	930 mm
Weight	900 kg
Air connection	G 1/4
Air pressure	6 bar
Air consumption	20 l/min
Oil volume	6,6l (Visc. 46)
Voltage	400 V/480 V
Fuse protection	32 A
Electrical connected load	3,0 KW