

# Floor plan: EB 30 Professional/EB 40 Professional

# EHRT

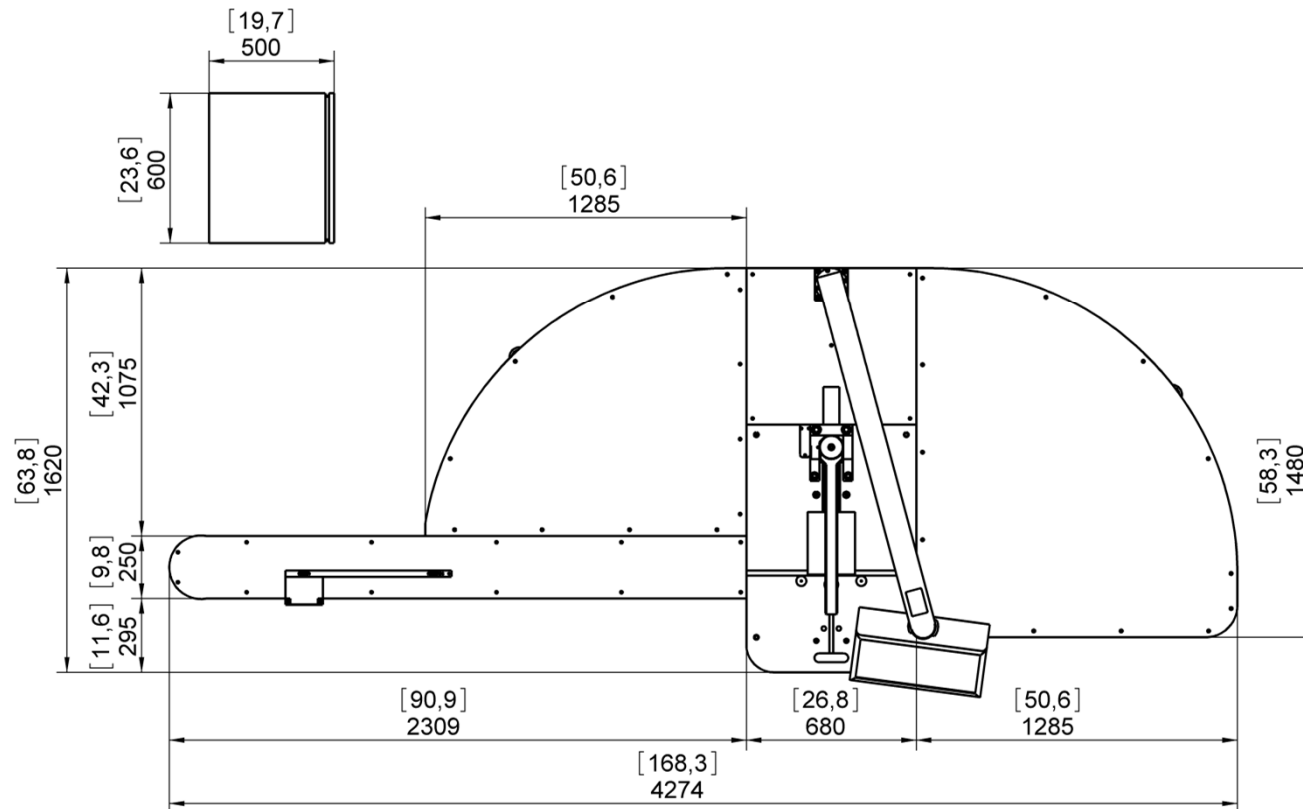
Maschinenbau GmbH

D-53619 Rheinbreitbach

Tel: +49/(0)2224/9248-0

E-mail: [info@ehrt.de](mailto:info@ehrt.de)

[www.ehrt.de](http://www.ehrt.de)



## Technical Data

Maximum height	2020 mm
Working height	975 mm
Weight	1500 kg
Air connection	G 1/4
Air pressure	6 bar
Air consumption	20 l/min
Oil volume	63l (Visc. 46)
Voltage	400 V/480 V
Fuse protection	32 A
Electrical connected load	7,5 KW