

Floor plan: Holecut 40-9 Professional

EHRT

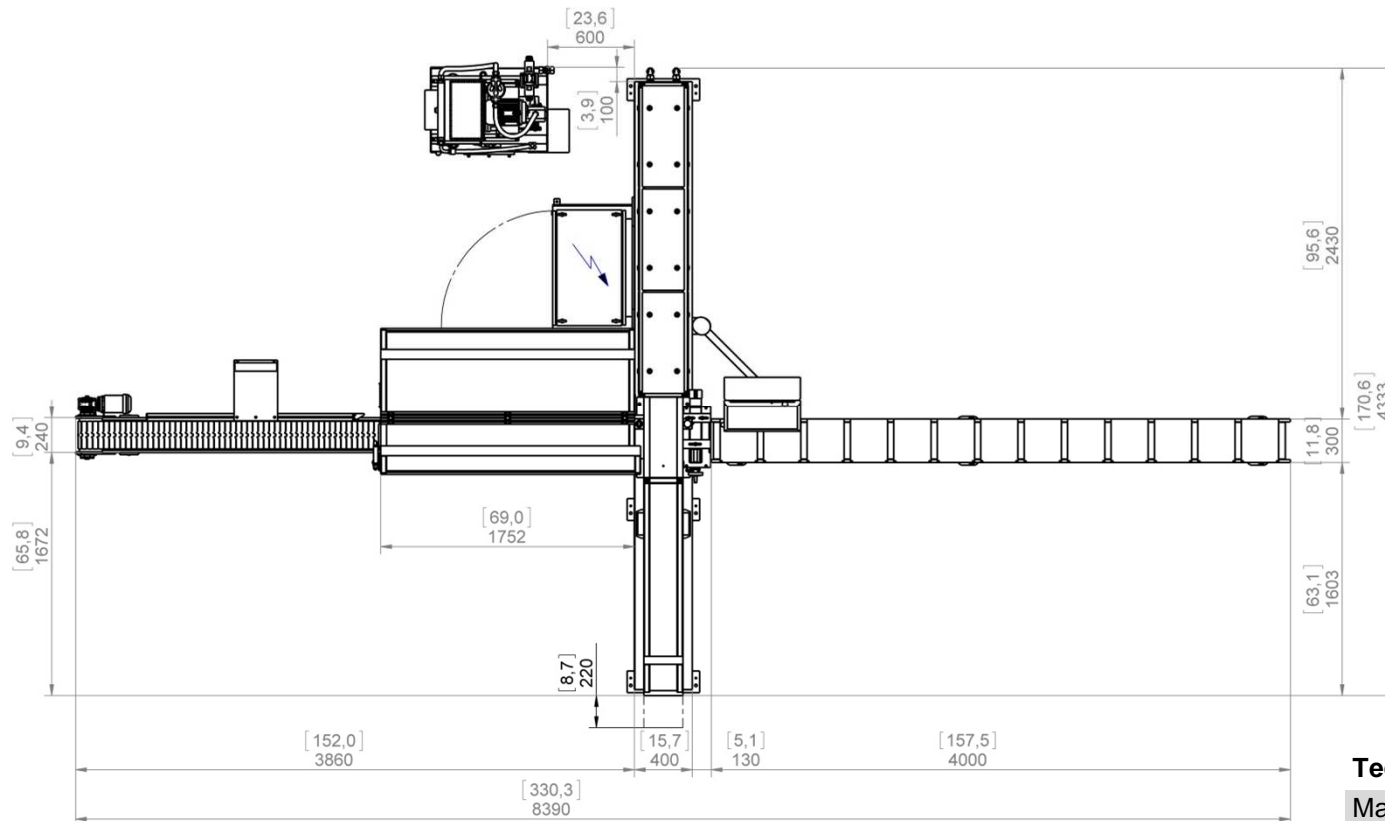
Maschinenbau GmbH

D-53619 Rheinbreitbach

Tel: +49/(0)2224/9248-0

E-mail: info@ehrt.de

www.ehrt.de



Technical Data

Maximum height	1800 mm
Working height	900 mm
Weight	3730 kg
Air connection	G 1/4
Air pressure	6 bar
Air consumption	150 l/min
Oil volume	160l (Visc. 46)
Voltage	400 V/480 V
Fuse protection	80 A
Electrical connected load	7,5 KW